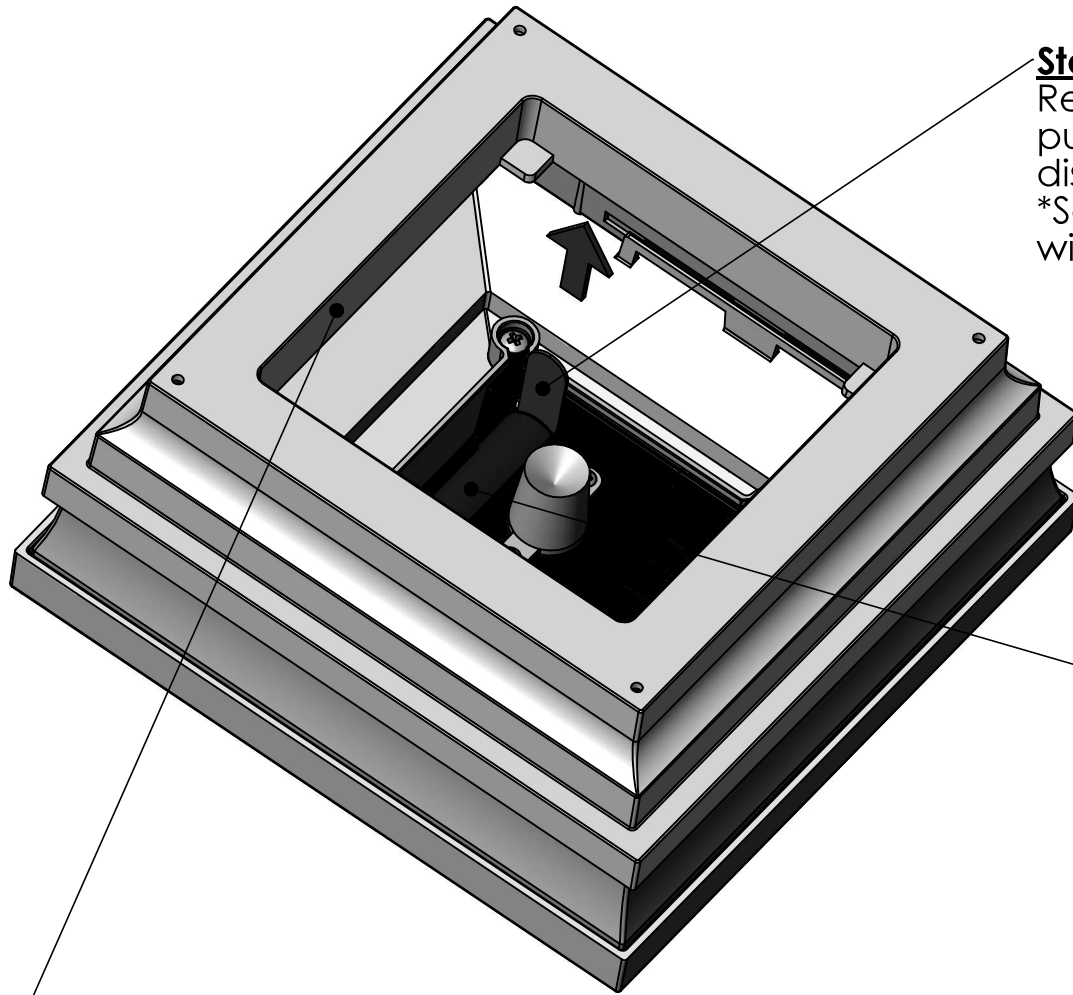


SOLAR POST CAP INSTALLATION INSTRUCTIONS



Step 1

Remove the battery isolator by pulling it out towards the opening and discarding.

*Some designs may not use pull tab and will need included battery installed.

When battery replacement is required, Use (1) - 14500, 3.2v, 600 mAh, LiFePO4 (Lithium Phosphate) battery.

Step 2

Apply clear exterior silicone caulking (not supplied) sparingly on the top four corners of the post. Then place Post Cap Light onto the post.

Note: Do not glue cap to post as the battery will need to be replaced during the normal life of the product.

Note:

The post cap depicted in these instructions may not be the style you have selected.

The instructions are identical for all styles.